

WICASTLE KBED530 General Arrangement

- Patient physical limit
- Weight: 240 lbs [110 kg]
 - Height: 75 inch [1.90 m]

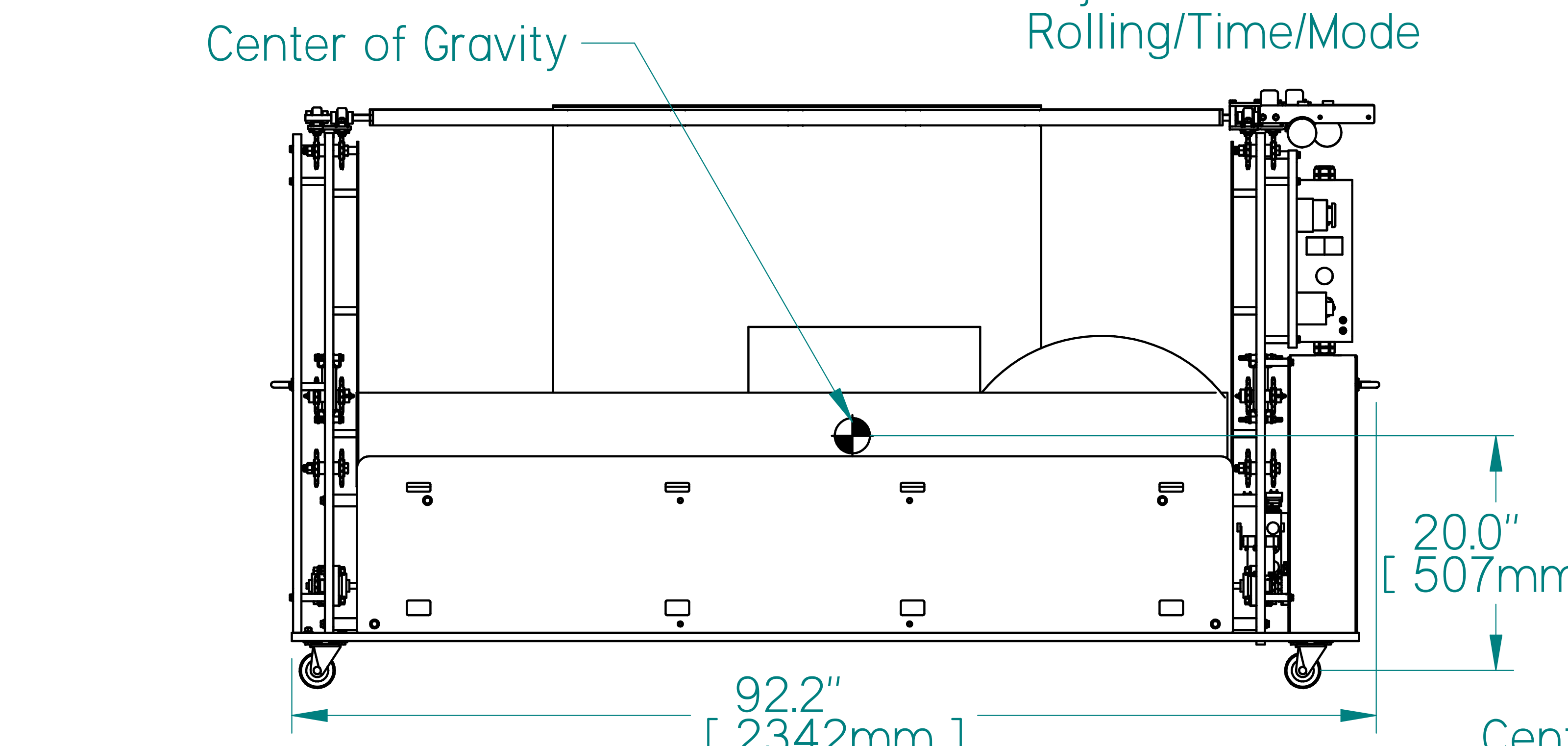
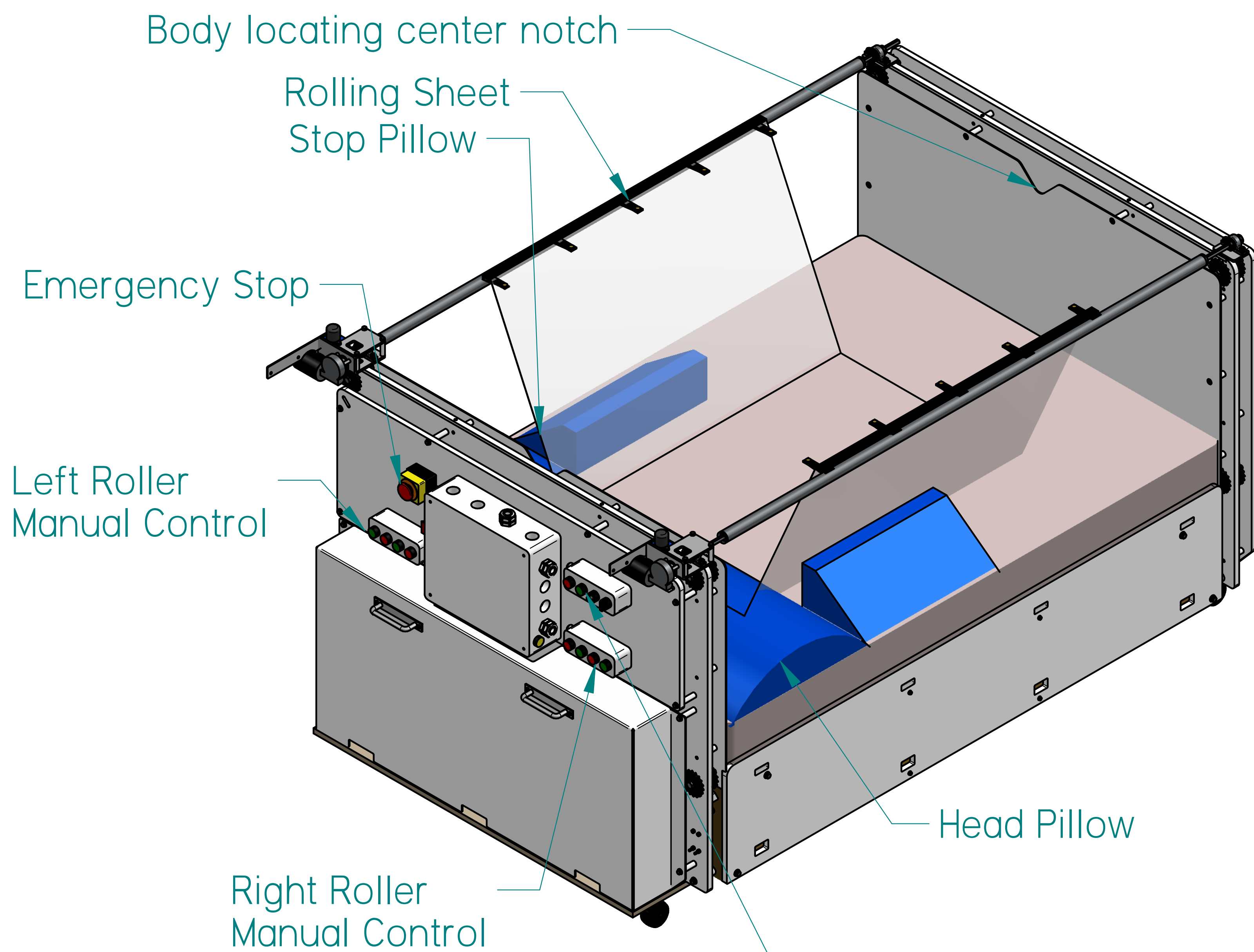
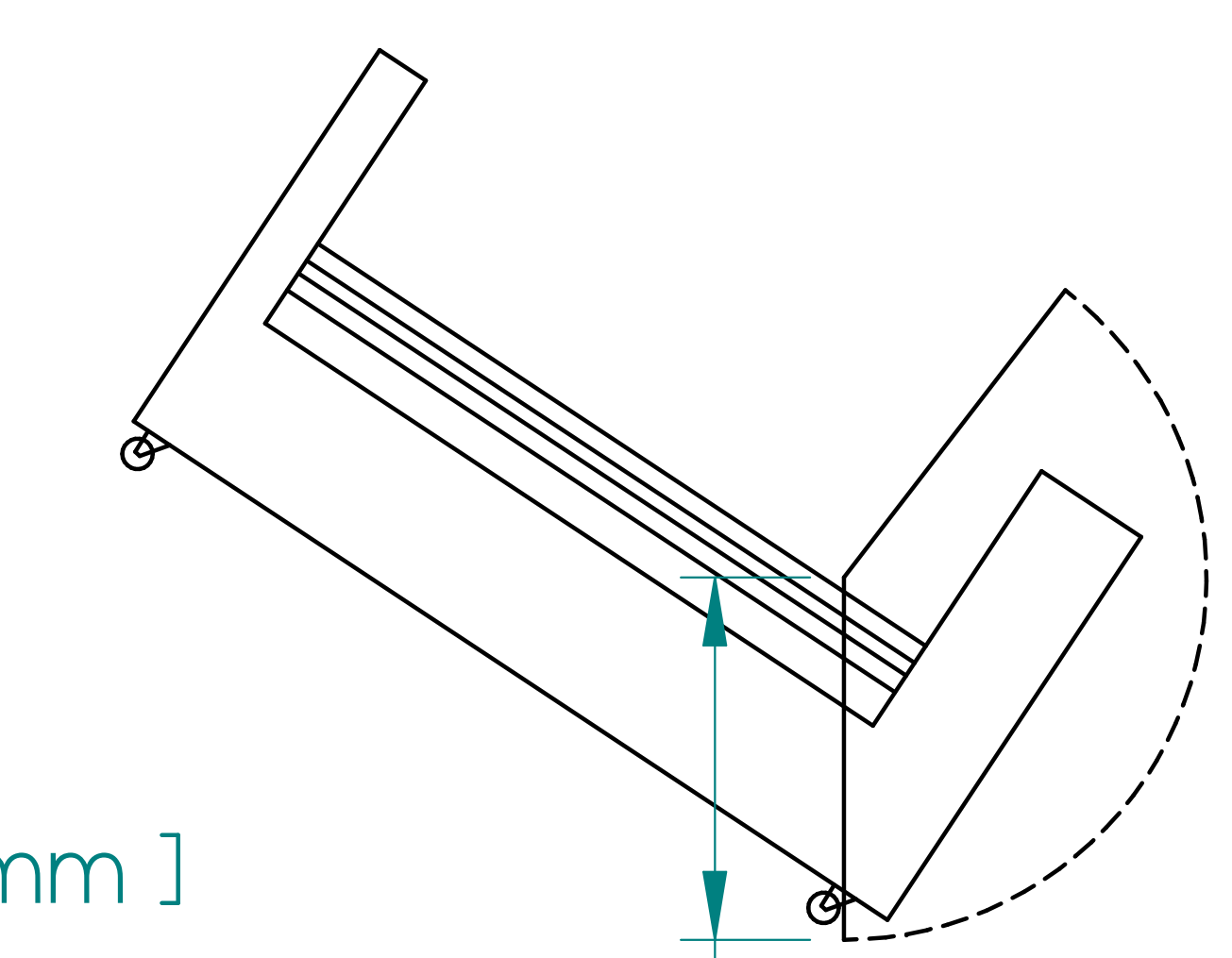
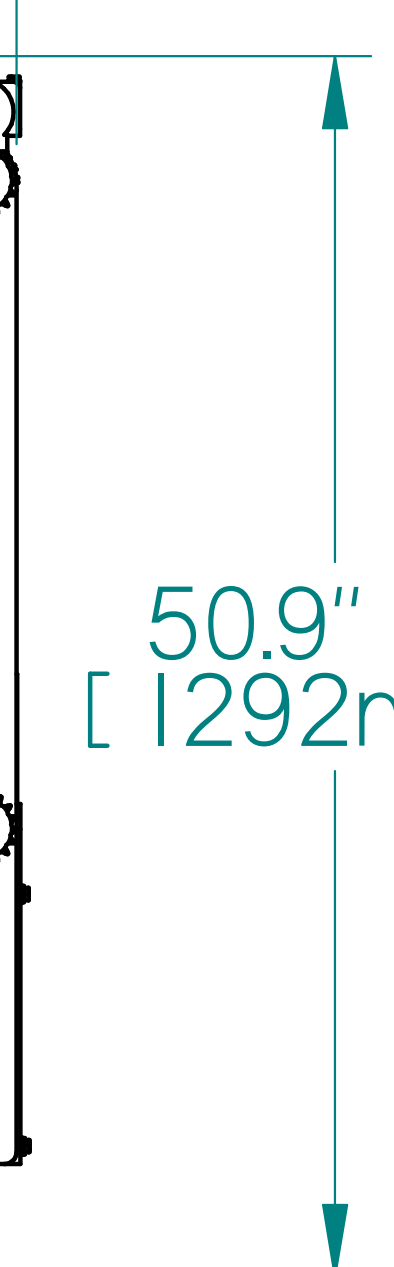
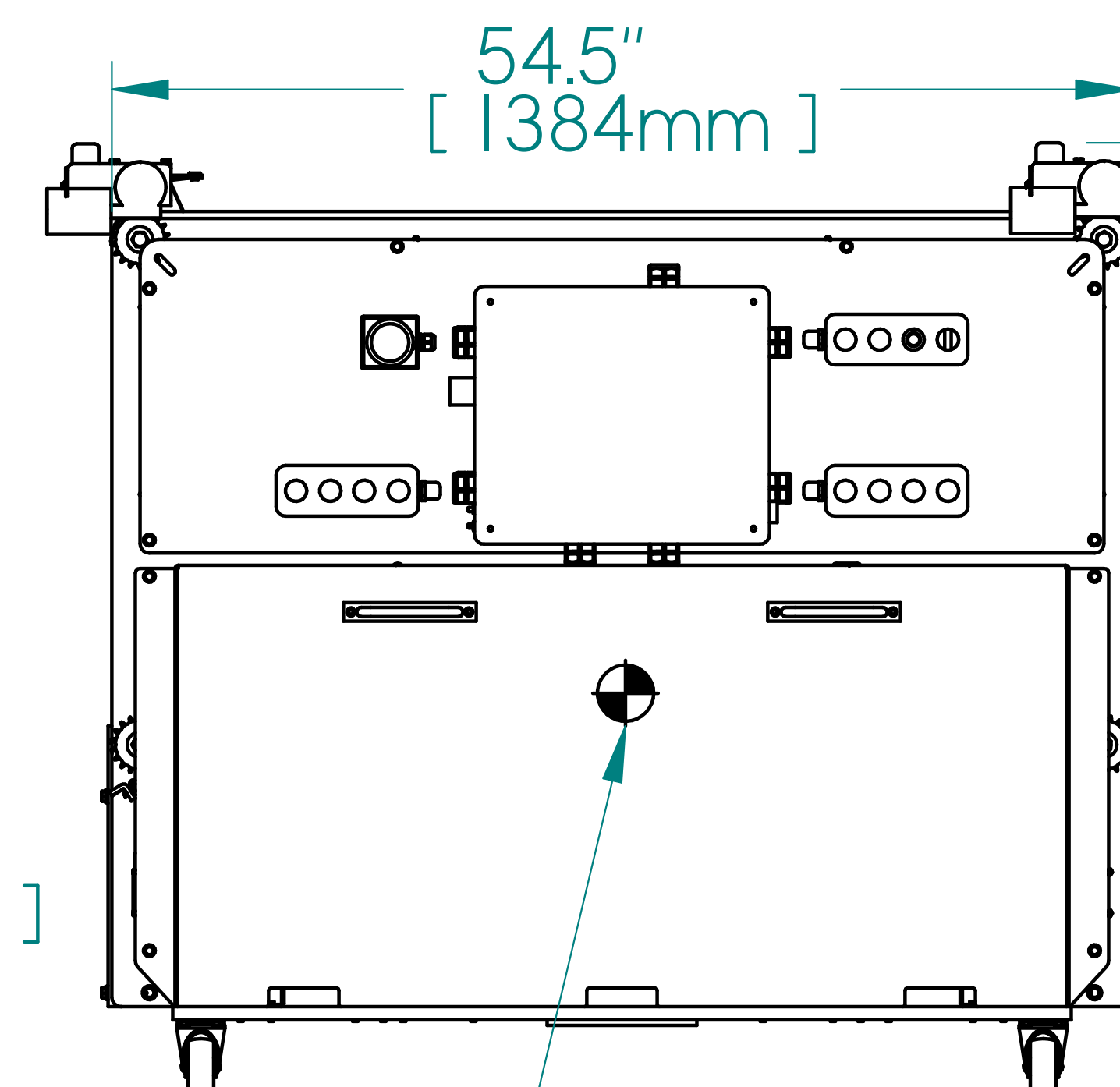
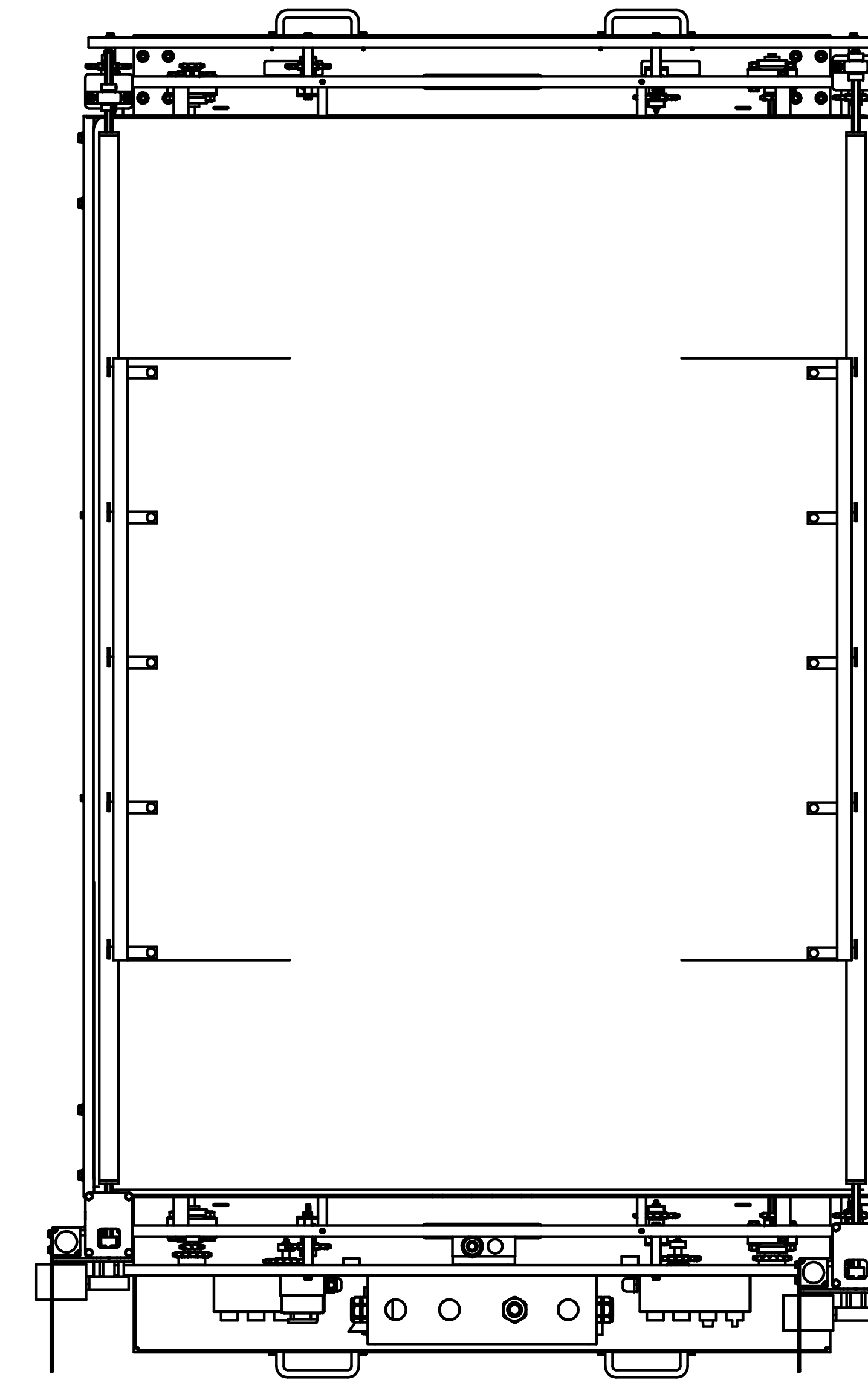
- Electrical Requirement:
- AC 110VAC/15A

- Turning angle adjustable range
- 0° - 90°

- Holding time adjustable range
- 10min - 30min each position

- Compatible Mattress
- Full size, 8 inch thickness

- System Weight
- 538 lbs [244 kg]



Wicastle LLC
sales@wicastlellc.com

Accessories included in Standard Package (Wicastle KBED530)	
Item	Quantity
Rolling Sheet	2
Stop Pillow	2
Rolling Sheet Clamp	10

Accessories Supplied by Customer	
Item	Quantity
Mattress (Full Size 8 inch thickness)	1
Mattress Cover Sheet	2
Head pillow	1
Arm band pillow	2